

1

2

A

A

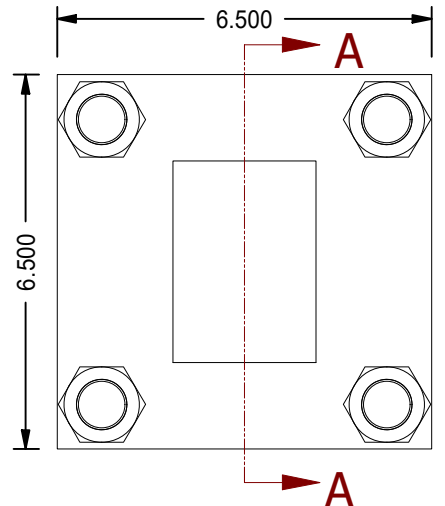
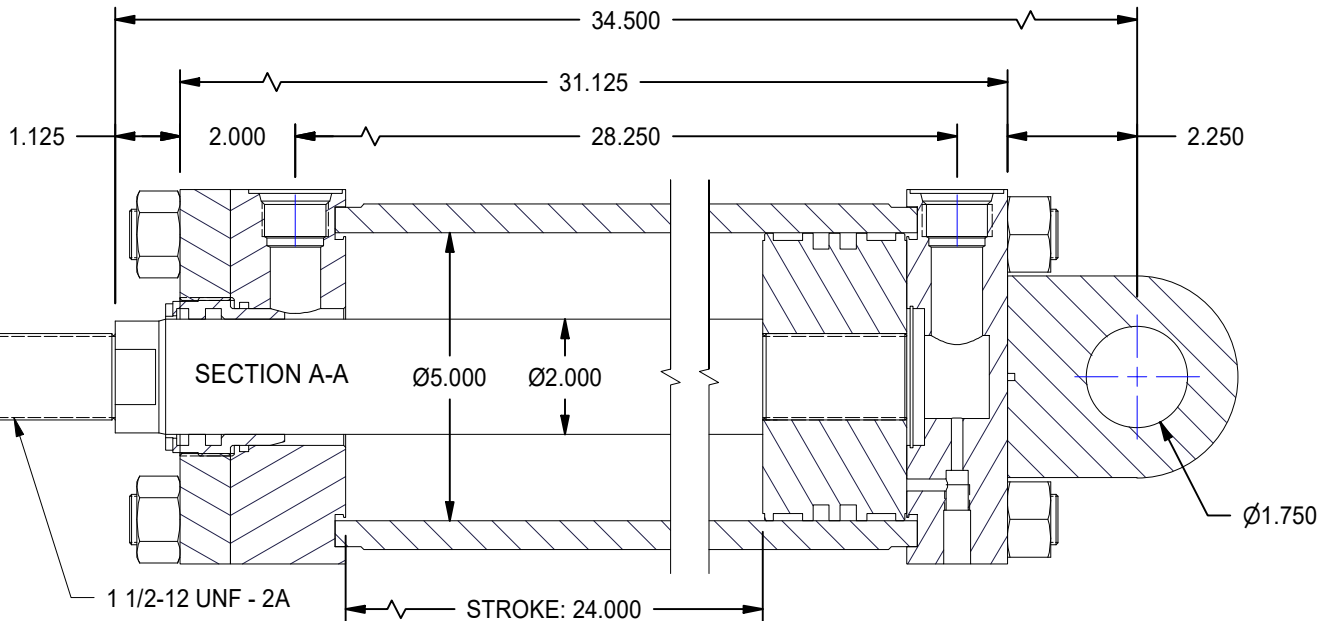
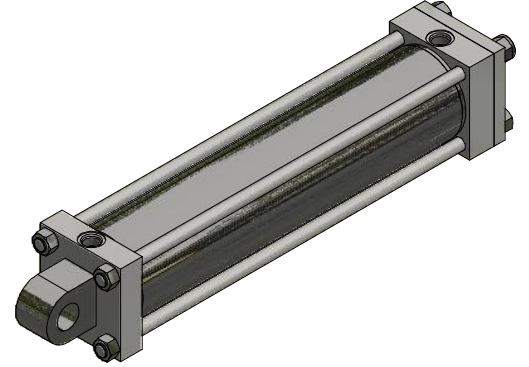
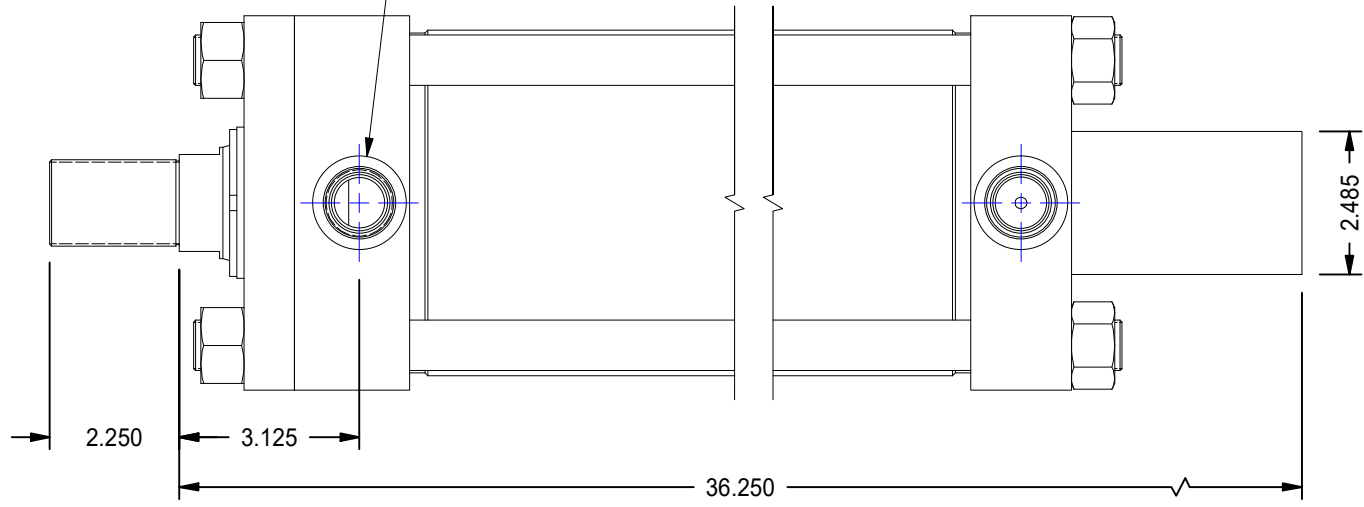
B


B

1

2

2X #12 SAE PORTS



MODEL NUMBER:		PROJECT/CUSTOMER INFO:		DSGND:	DATE: 2013-03-07
 <b>TITAN WORLDWIDE INC.</b> <small>31 Year ISO 9001 Clear title or graphic in case of power. One that stands out for greatness of achievement</small> PHONE: 807-474-5337 FAX: 807-623-5692 EMAIL: info@titanworldwide.com WEB: www.titanworldwide.com		CAPACITY: 3000 PSI		FILENAME: TRH5.00MP3LT14X24.00.idw	
		WEIGHT: 180.182 lbmass		TITLE: TRH5.00MP3LT14X24.00	
701 MONTREAL STREET THUNDER BAY, ON P7E 3P-2 CANADA TEL: 807-474-5337 FAX: 807-623-5692 www.titanworldwide.com		SHEET: A SHEET: 2 OF 2		DRAWING No:	
				REVISION:	

DATE	INTL	DESCRIPTION	REV