

1

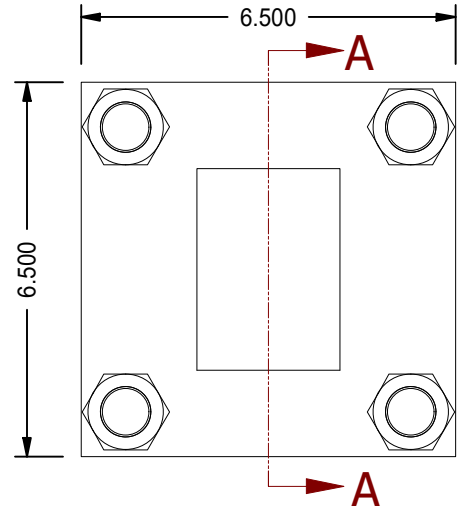
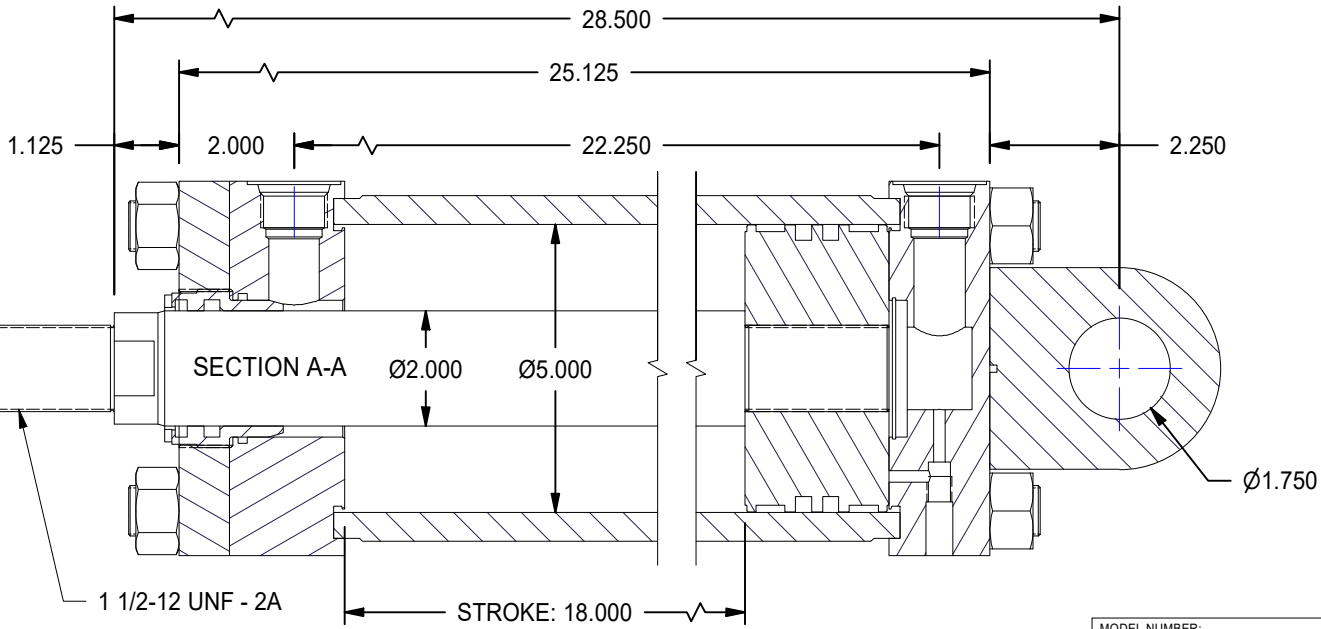
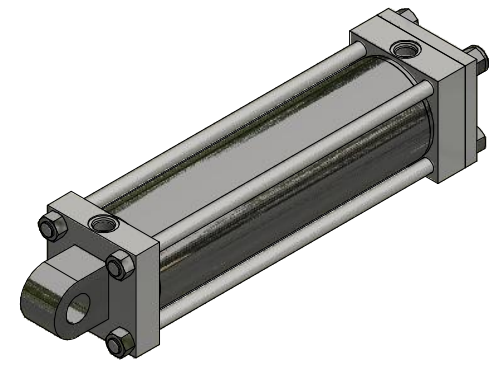
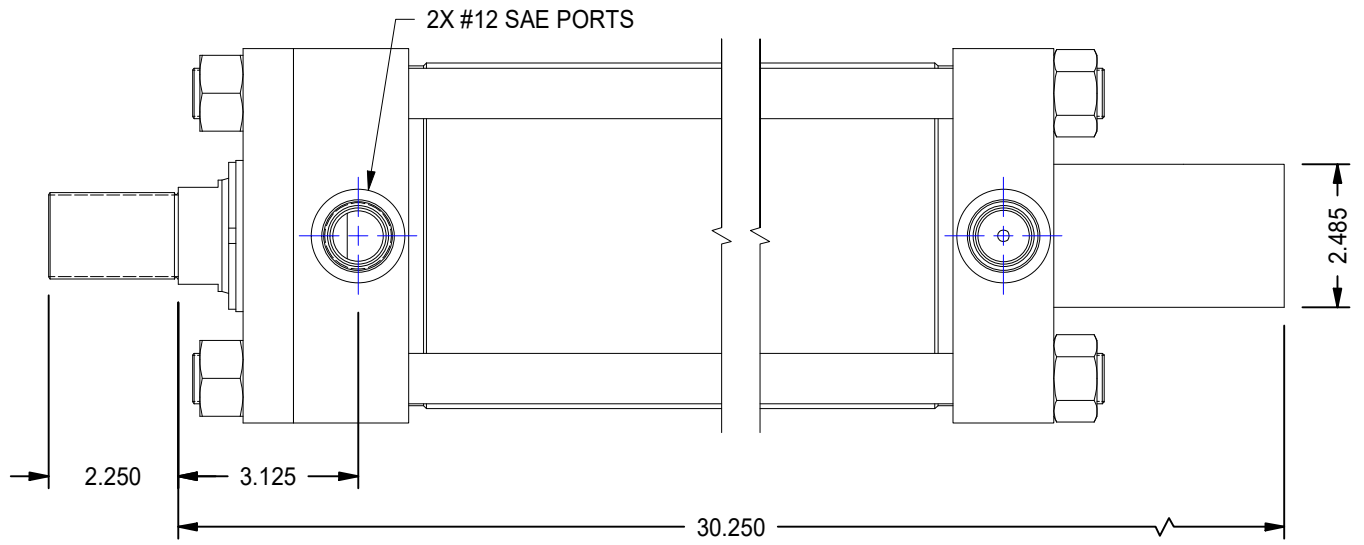
2

A

A

B

B




1

2



DATE	INTL	DESCRIPTION	REV

MODEL NUMBER:		PROJECT/CUSTOMER INFO:		DSGND:	DATE: 2013-03-07
 <b>TITAN WORLDWIDE INC.</b> <small>31 Year ISO 9001 Clear title or graphic in case of power. One that stands out for greatness of achievement!</small> <small>PHONE: 807-474-5337 FAX: 807-623-5692 EMAIL: info@titanworldwide.com WEB: www.titanworldwide.com</small>		CAPACITY: 3000 PSI		WEIGHT: 156.042 lbrmass	
		SHEET: A SHEET: 1 OF 1 FILENAME: TRH5.00MP3LT14X18.00.idw		TITLE: TRH5.00MP3LT14X18.00	
DRAWING No:				REVISION:	