

1

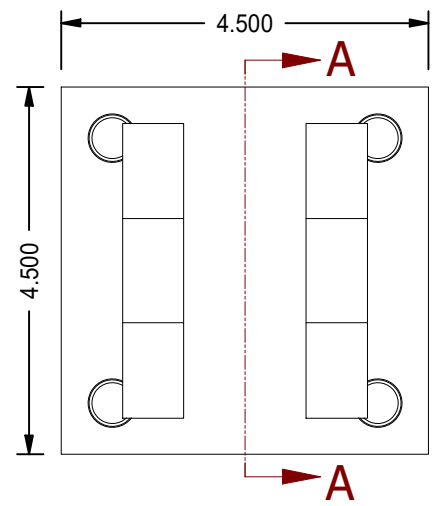
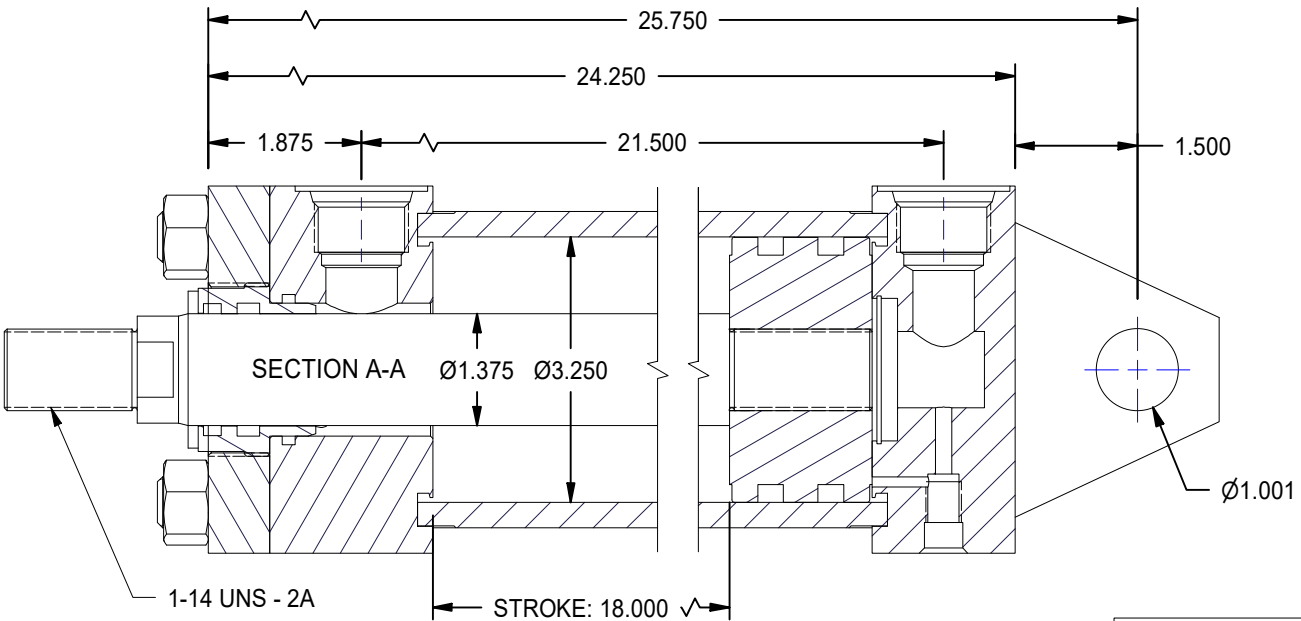
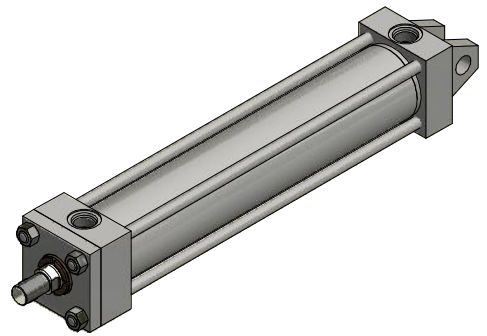
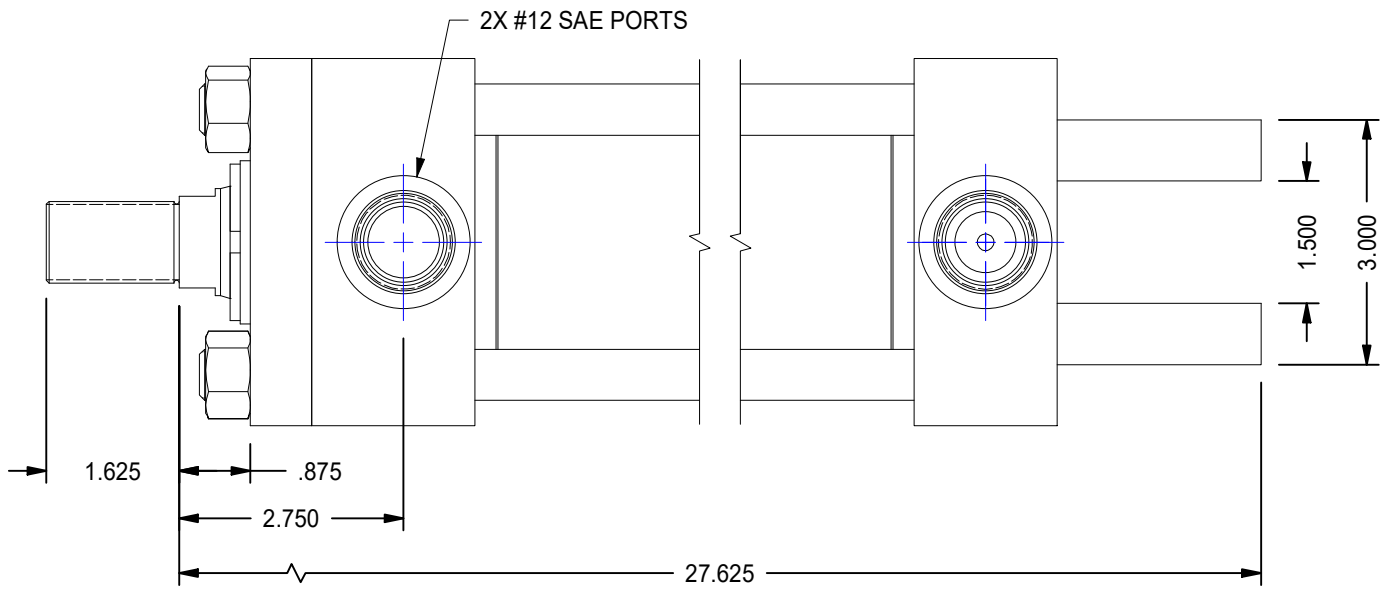
2


A

A

B

B



MODEL NUMBER:		PROJECT/CUSTOMER INFO:		DSGND:	DATE: 2013-12-02
 TITAN WORLDWIDE INC. <small>31 Year ISO 9001</small> <small>Clear that all products are made in power. One that stands out for greatness of achievement!</small> <small>PHONE: 807-474-5337 FAX: 807-623-5692 EMAIL: info@titanworldwide.com WEB: www.titanworldwide.com</small>		CAPACITY: 3000 PSI		FILENAME: TRH3.25MP1LT14X18.00.idw	
		WEIGHT: 64.638 lbmass		TITLE: TRH3.25MP1LT14X18.00	
SHEET SIZE: A	SHEET: 1 OF 1	DRAWING No:		REVISION:	

1

2

DATE	INTL	DESCRIPTION	REV