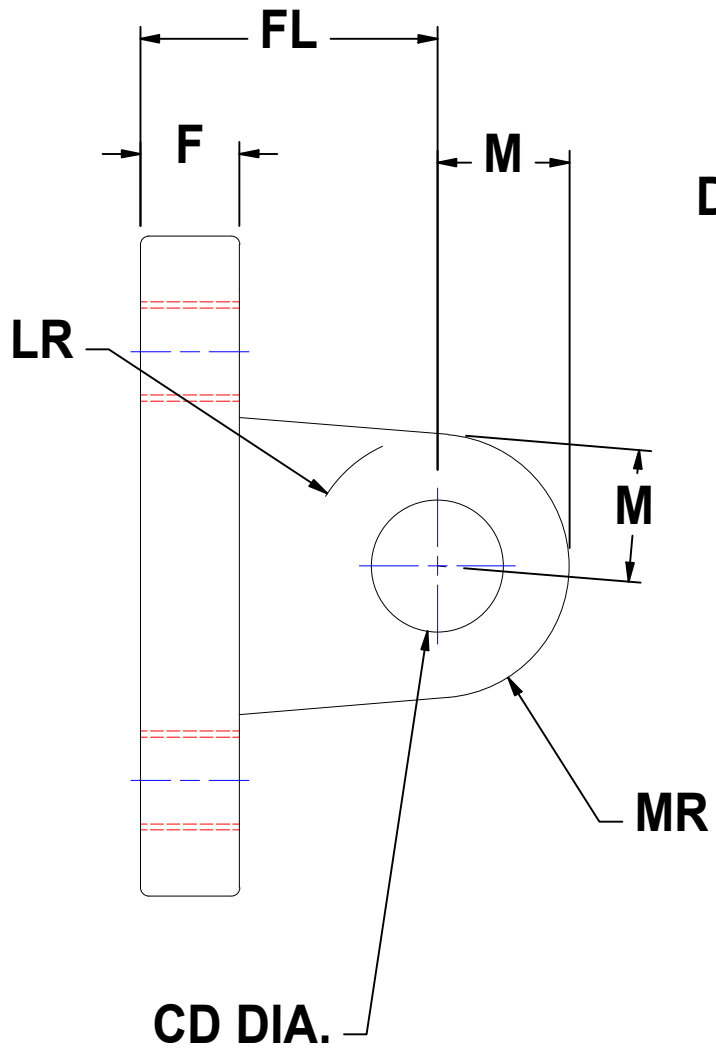


A

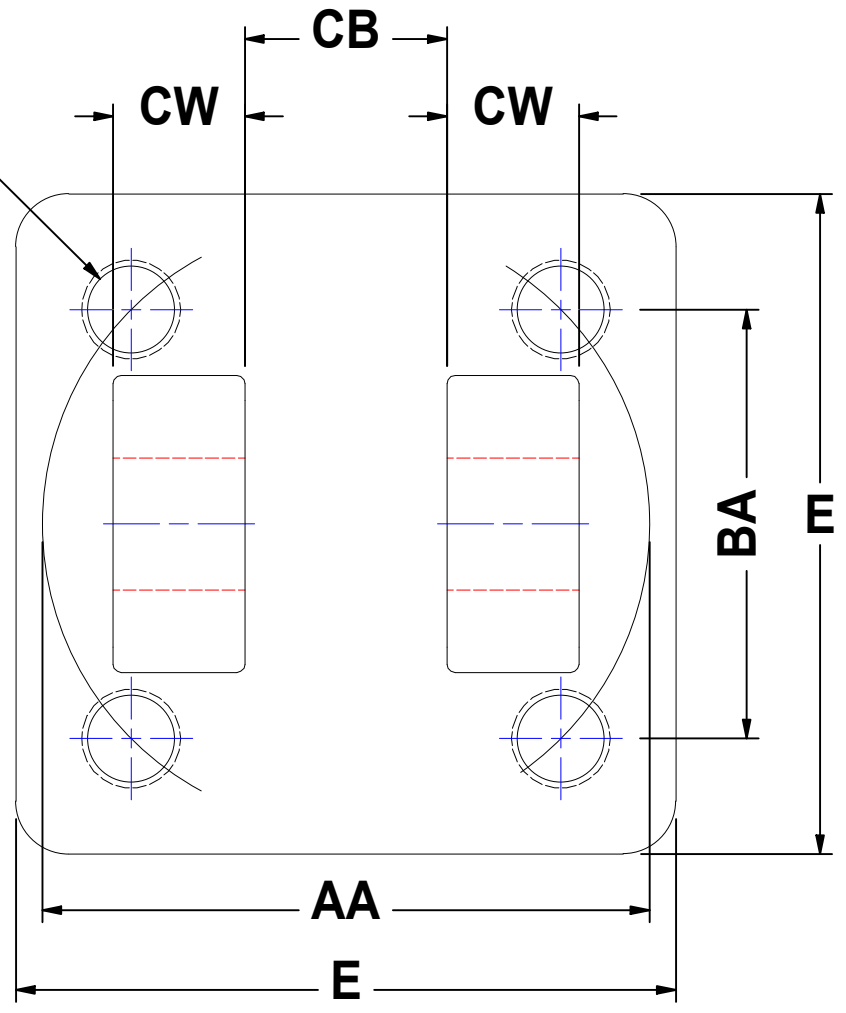
A

B


B



DD DIA.



DATE	INITL	DESCRIPTION	REV

<b>PART MATL:</b> Iron, Cast  <b>TITAN WORLDWIDE INC.</b> <small>701 MONTREAL STREET THUNDER BAY, ON P7E 3P2 CANADA TEL: 807-474-5337 FAX: 807-623-5692 www.titanworldwide.com</small>	<b>MATERIAL DESCRIPTION:</b> <b>MACHINING TOLERANCES:</b> X.X = ±0.03 X.XX = ±0.01 X.XXX = ±0.005 ; ØX.XXX = ±0.001 <b>BREAK ALL SHARP EDGES: 0.005 - 0.01</b>	<b>CUT LENGTH / BLANK SIZE:</b> * ALLOWANCE DRAWN:                      DATE: 2021-06-24	
		ENGINEER: FILE NAME: CLEVIS BRACKET.idw WEIGHT: N/A	
SHEET SIZE: A                      SHEET: 1 OF 1		TITLE:	
C.N.C No:		DRAWING No: CLEVIS BRACKET                      REVISION: A	