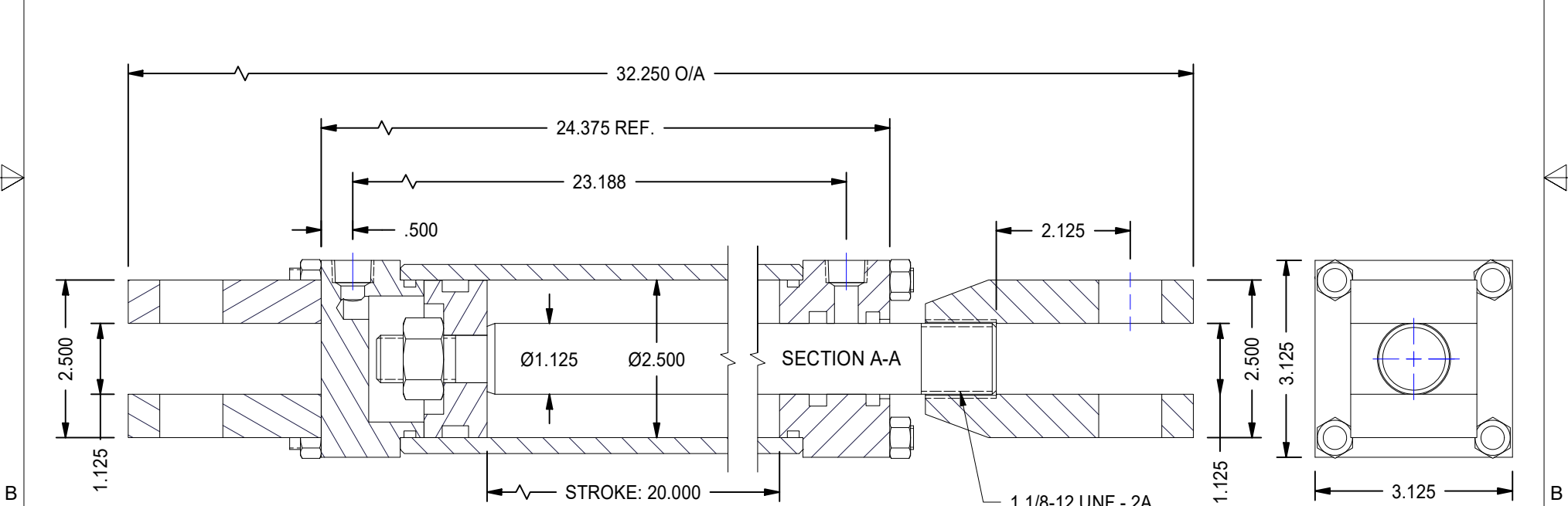
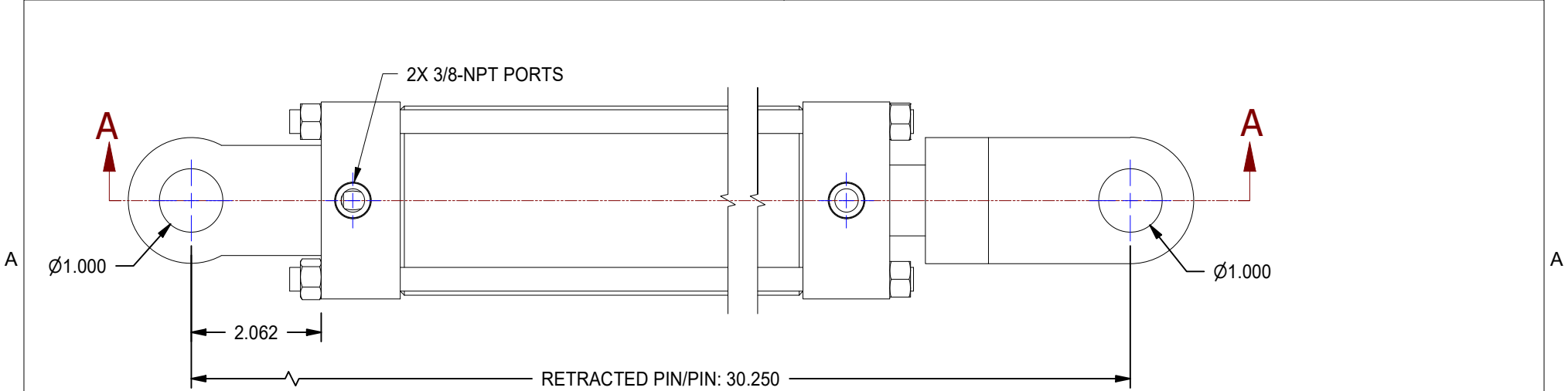


1

2



| DATE | INTL | DESCRIPTION | REV |
|------|------|-------------|-----|
| | | | |

| | | | |
|--|--|--|--|
| TITAN WORLDWIDE INC. <small>31 rue 1000 S. Clear Fall in liquid, in case of power. One that stands out for greatness of achievement!</small> | | PROJECT/CUSTOMER INFO: DSGND: DATE: 2012-07-04 CAPACITY: WEIGHT: N/A | |
| MODEL NUMBER: PHONE: 807-474-5337 FAX: 807-623-5692 EMAIL: info@titanworldwide.com WEB: www.titanworldwide.com 701 MONTREAL STREET THUNDER BAY, ON P7E 3P-2 CANADA TEL: 807-474-5337 FAX: 807-623-5692 www.titanworldwide.com | | SHEET SIZE: A SHEET: 9 OF 12 FILENAME: TTN25TRXX.idw TITLE: TTN25TR20 DRAWING No: REVISION: | |

1

2