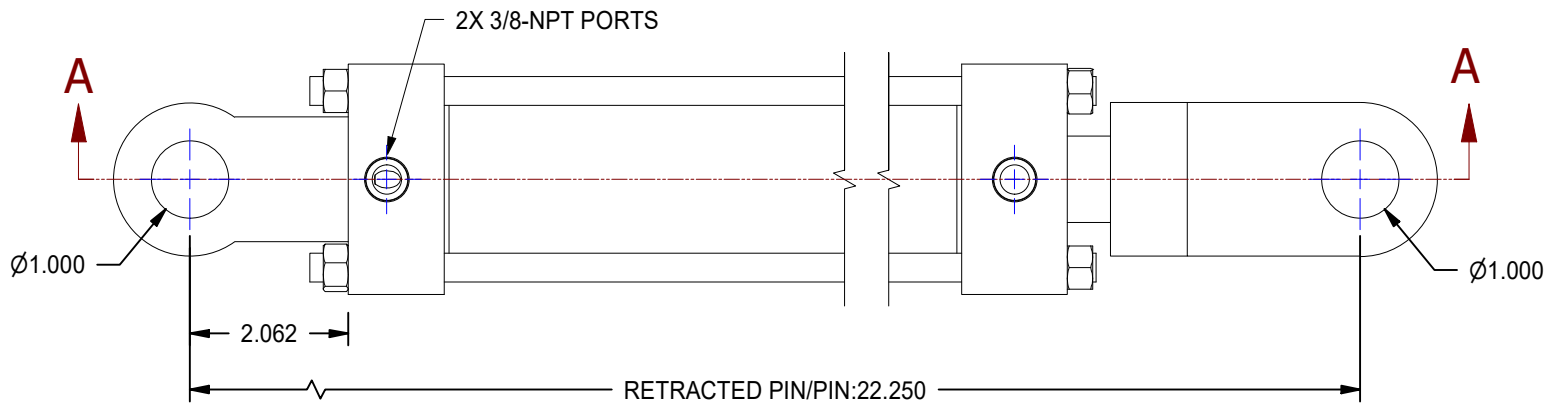


1

2

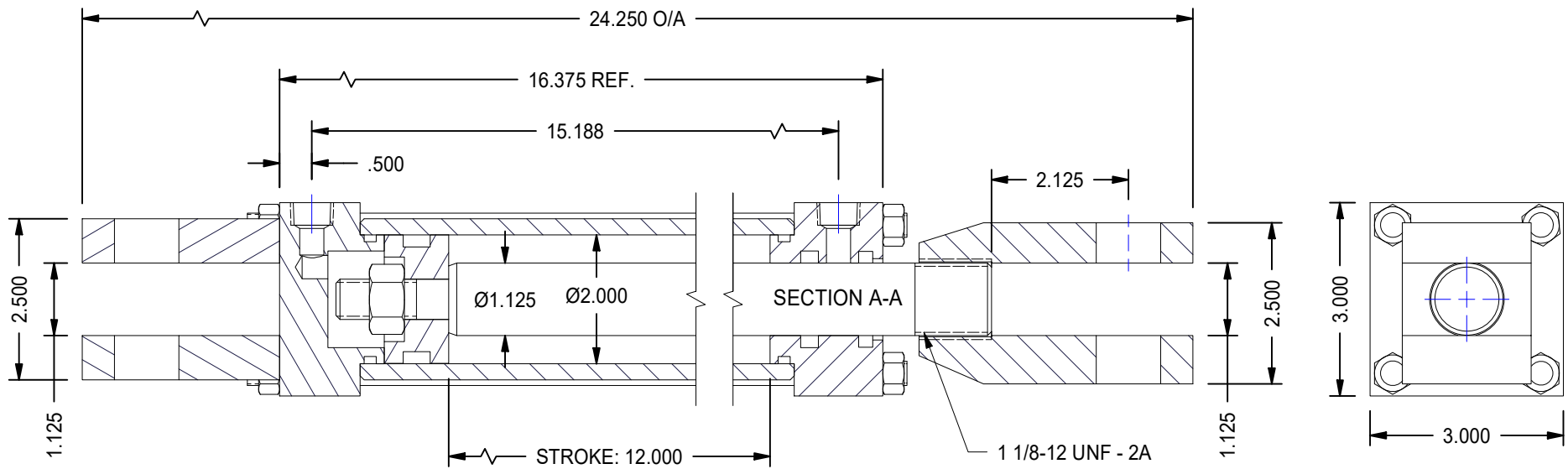
A

A




B

B



B

B

MODEL NUMBER:		PROJECT/CUSTOMER INFO:		DSGND:	DATE: 2012-07-04
 TITAN WORLDWIDE INC. <small>31 ton 5000 L. Clear tank all hydraulic in case of power. One that stands out for greater of efficiency!</small>		CAPACITY		WEIGHT: N/A	
		SHEET: A		SHEET: 5 OF 12	
701 MONTREAL STREET THUNDER BAY, ON P7E 3P-2 CANADA TEL: 807-474-5337 FAX: 807-423-5692 www.titanworldwide.com		TITLE: TTN20TR12			
DRAWING No:					REVISION:

1

2

DATE	INTL	DESCRIPTION	REV

1

2