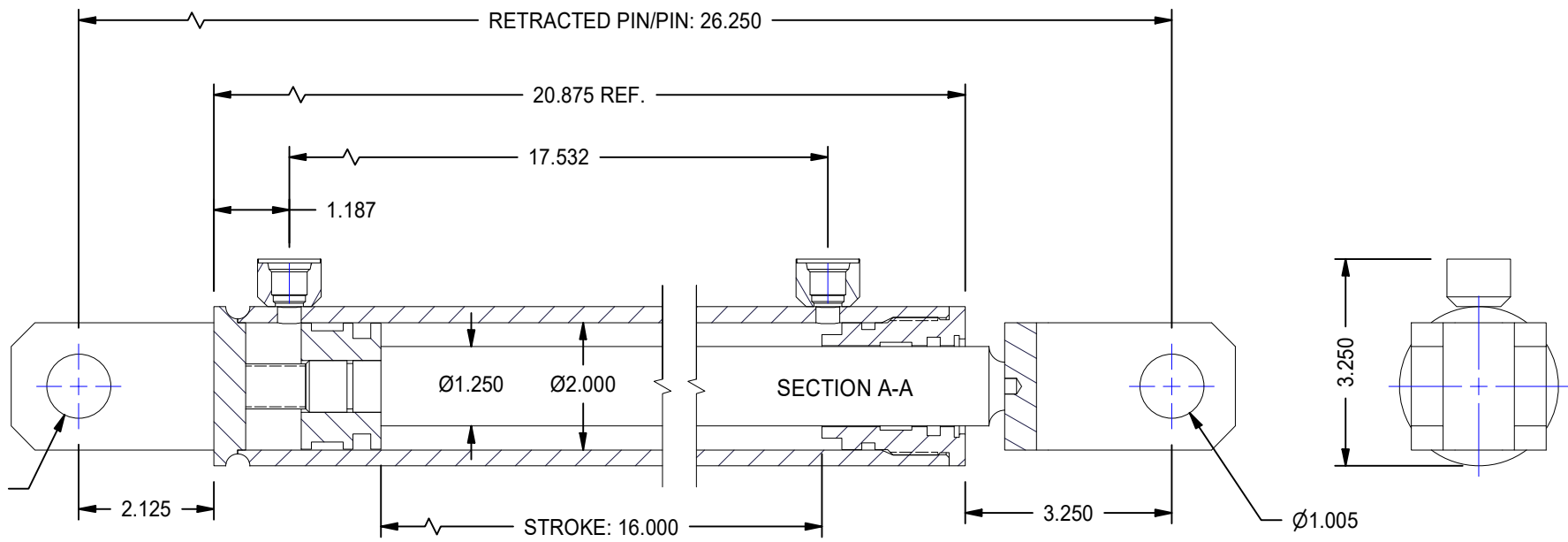
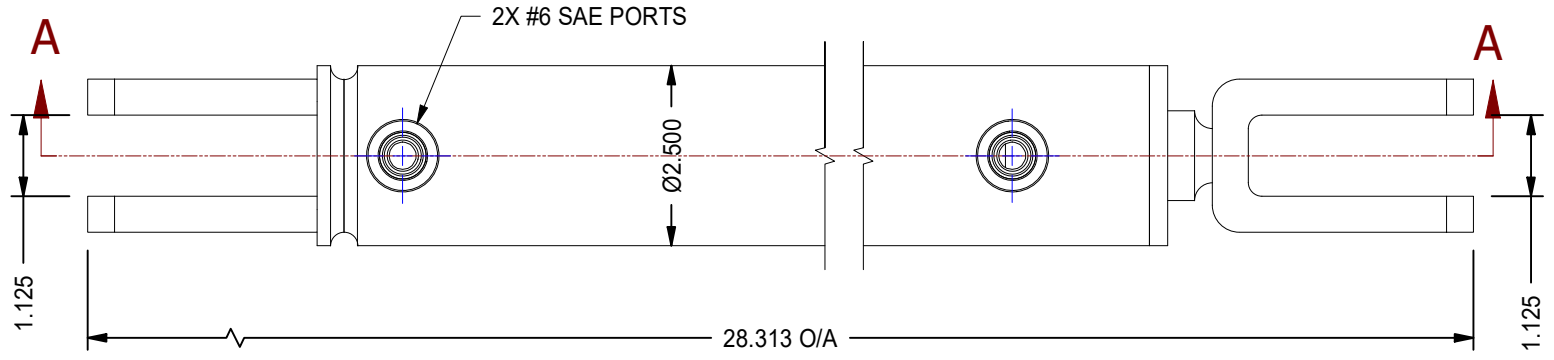



1

2



| | | | | | |
|--|--|------------------------|--|----------------|------------------|
| MODEL NUMBER: | | PROJECT/CUSTOMER INFO: | | DSGND: | DATE: 2012-01-02 |
|  TITAN WORLDWIDE INC. <small>31 Year ISO 9001 Clear that all projects, in state or power. One that stands out for greatness of achievement!</small> | | CAPACITY: | | WEIGHT: N/A | |
| | | SHEET: A | | SHEET: 6 OF 14 | |
| 701 MONTREAL STREET THUNDER BAY, ON P7E 3P-2 CANADA TEL: 807-474-5337 FAX: 807-423-5692 www.titanworldwide.com | | TITLE: TTN20BB16 | | DRAWING No: | |
| DATE | | INTL | | REVISION | |

1

2