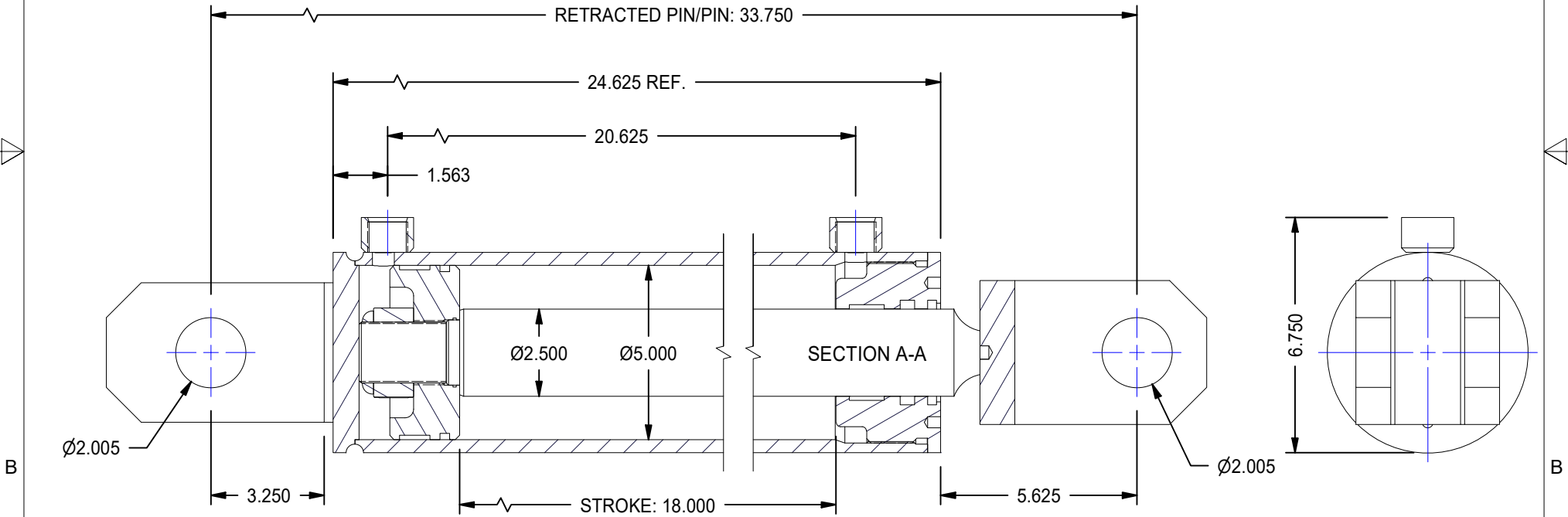
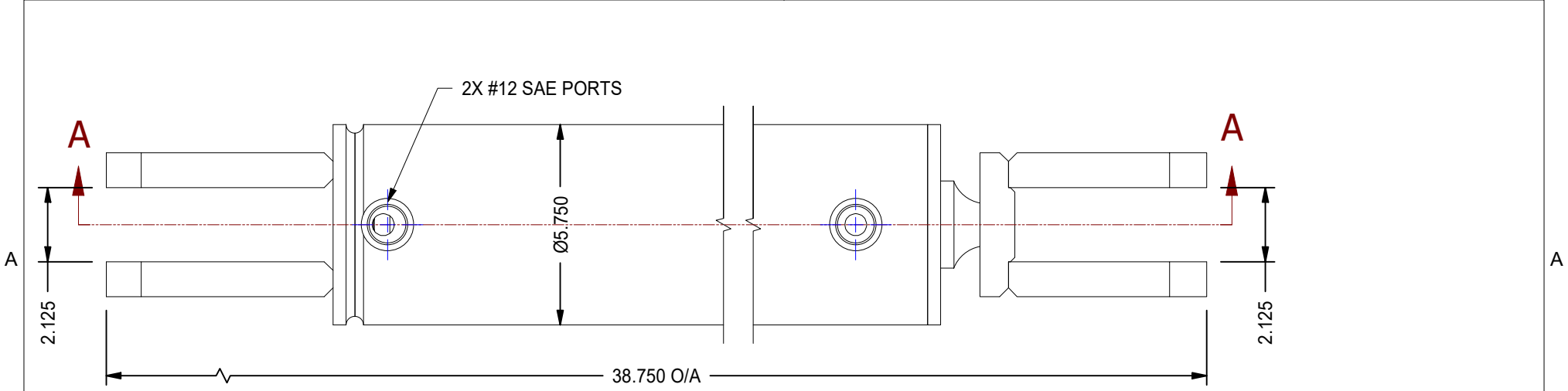



1

2



MODEL NUMBER:		PROJECT/CUSTOMER INFO:		DSGND:	DATE: 2020-04-02
 <b>TITAN WORLDWIDE INC.</b> <small>31 Year ISO 9001 Clear Fall or Impact, in case of power. One that stands out for greatness of achievement!</small> PHONE: 807-474-5337 FAX: 807-623-5692 EMAIL: info@titanworldwide.com WEB: www.titanworldwide.com		ENGINEER:	CAPACITY:	WEIGHT: N/A	
		SHEET SIZE: A SHEET: 7 OF 14 FILENAME: TTN50BBXX.idw		TITLE: TTN50TB18	
DRAWING No:				REVISION:	

DATE	INTL	DESCRIPTION	REV

1

2