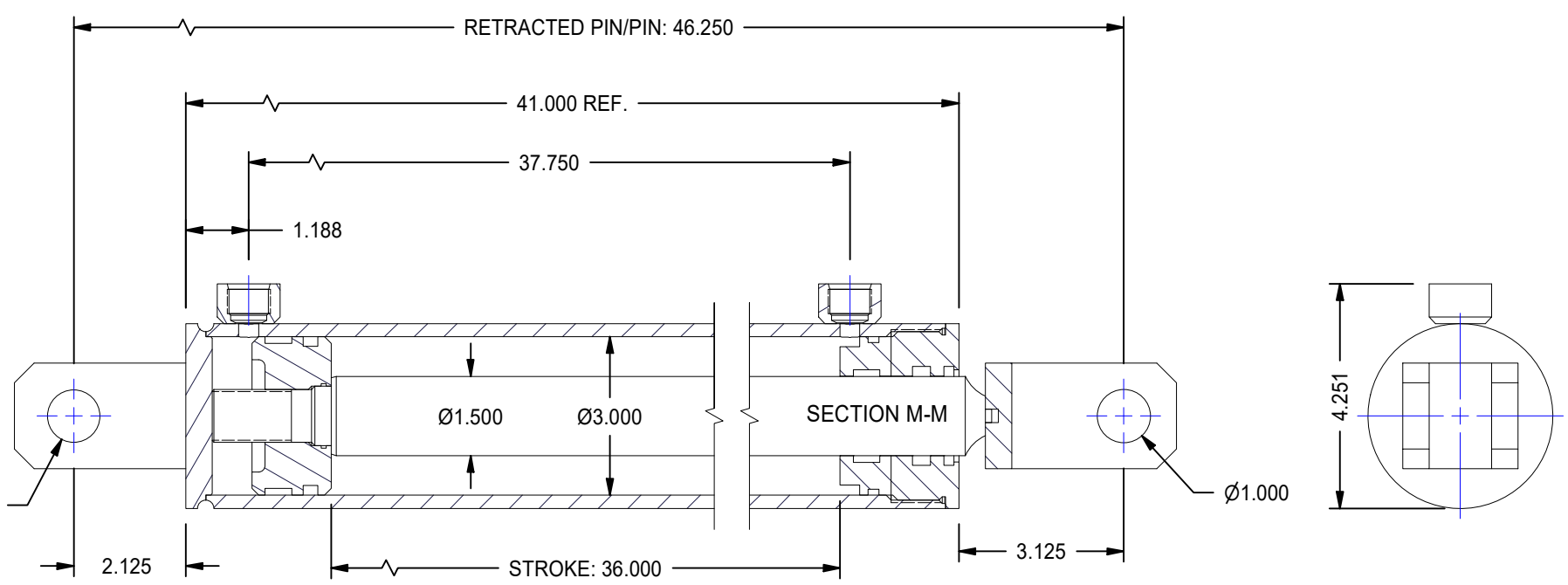
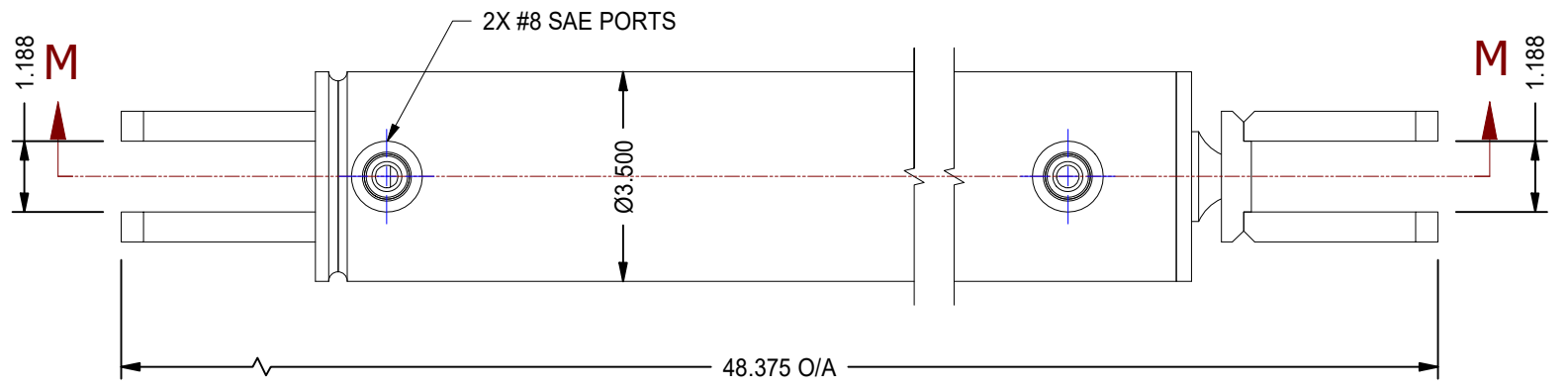


1

2



MODEL NUMBER:

TITAN WORLDWIDE INC.
 701 MONTREAL STREET
 THUNDER BAY, ON
 P7E 3P-2
 CANADA
 TEL: 807-474-5337
 FAX: 807-423-5692
 www.titanworldwide.com

PROJECT/CUSTOMER INFO:

DSGND: Owner DATE: 2013-10-28
 CAPACITY:
 WEIGHT: N/A

SHEET SIZE: A SHEET: 16 OF 16 FILENAME: 30FEM10.idw
 TITLE: WTG - 3B/1.5R-36S-BB_TH
 FABRICATION DRAWING

DRAWING No: 30FEM36 REVISION:

DATE	INTL	DESCRIPTION	REV

1

2