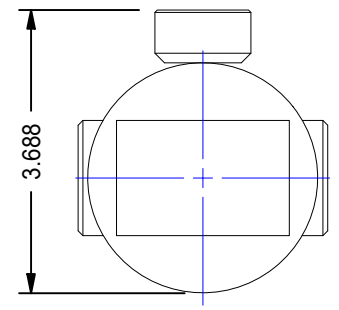
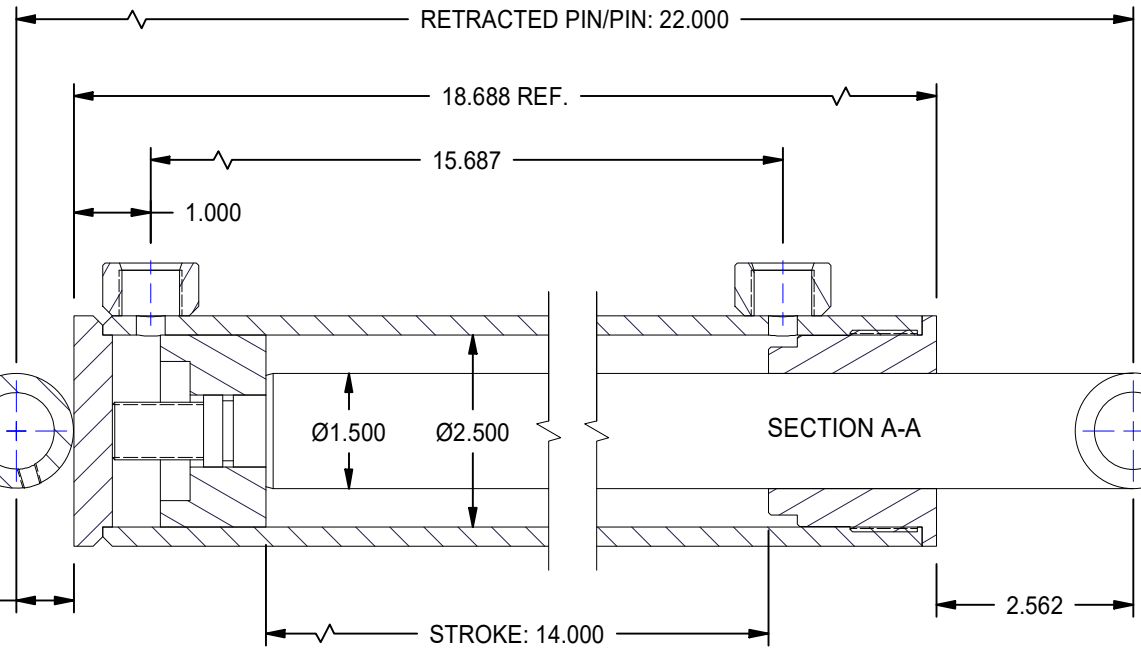
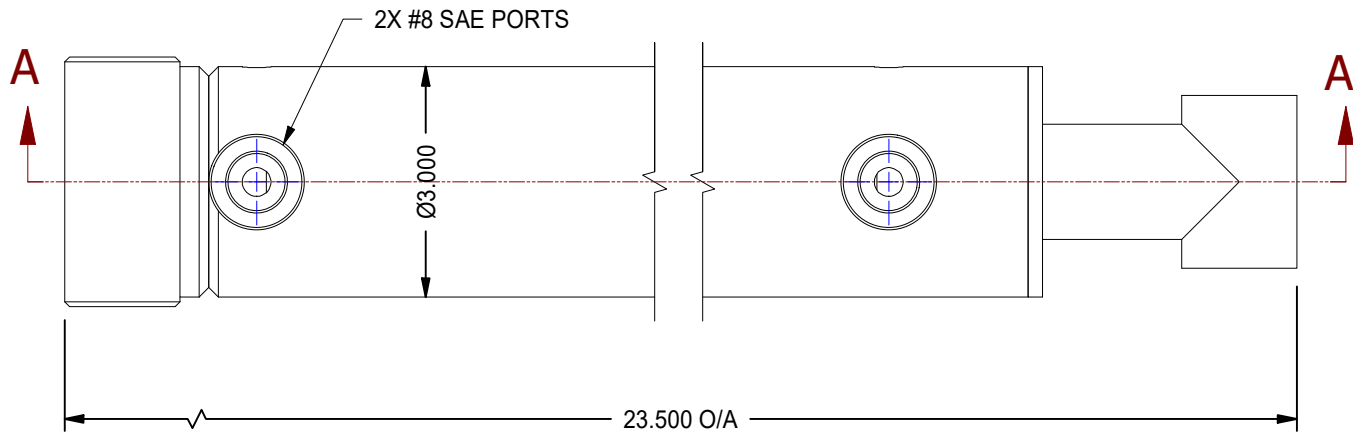



1

2



Ø1.000

.750

MODEL NUMBER:		PROJECT/CUSTOMER INFO:		DSGND:	DATE: 2018-06-12
 TITAN WORLDWIDE INC. <small>31 rue 55th St. Clear Lake or Republic, in state or power. One that stands out for greatness of achievement</small>		ENGINEER:		CAPACITY:	
		WEIGHT: N/A		FILENAME: TTN25TBXX.idw	
SHEET SIZE: A	SHEET: 6 OF 16	TITLE: TTN25TB14			
DRAWING No:					REVISION:

DATE	INTL	DESCRIPTION	REV

1

2