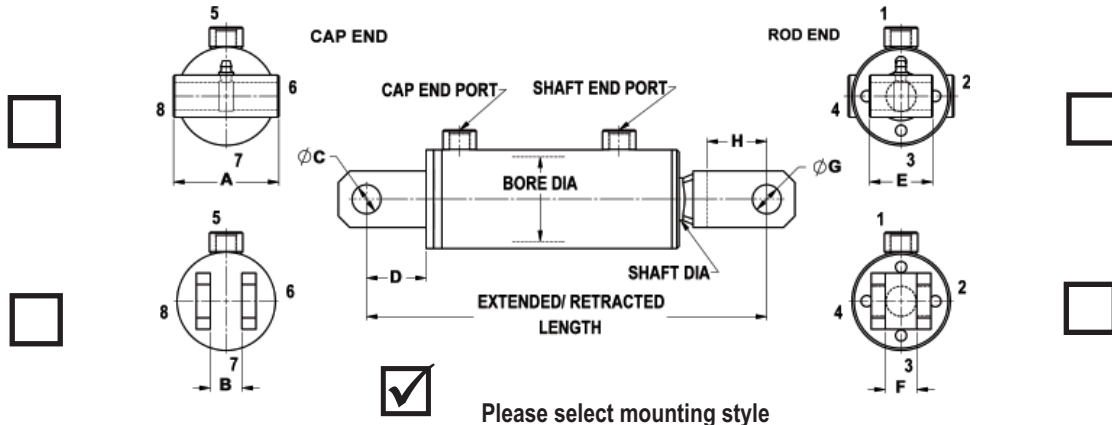


NON-STANDARD CYLINDER - ORDER FORM

Date : _____

NON-STANDARD CYLINDER ORDER FORM



DIMENSIONS IN INCHES

Bore _____
 Stroke _____
 Rod Diameter _____

Single or Double Acting _____
 Retracted Length _____
 Extended Length _____

CAP END

A Cap pineye Width _____
 B Cap Clevis Width _____
 C Cap Pin Diameter _____
 D Cap Clevis Depth _____
 Cap End Port Size, Type _____
 Cap End Port Location _____

ROD END

E Rod pineye Width _____
 F Rod Clevis Width _____
 G Rod Pin Diameter _____
 H Rod Clevis Depth _____
 Rod End Port Size, Type _____
 Rod End Port Location _____

OPERATING CONDITIONS

Cyl. Application _____
 Extension Load _____
 Retraction Load _____
 Load Holding Req. _____
 Fluid Type _____

Mounting Position _____
 System Press. (PSI) _____
 System Flow (GPM) _____
 System Temp. (°F) _____
 Cycles / Hour _____

CUSTOMER

Name _____
 Contact _____
 Phone _____
 Fax _____
 E-mail _____

BRANCH

Name _____
 Contact _____
 Phone _____
 Fax _____
 E-mail _____

QUANTITIES AND SPECIAL FEATURES

Quantities _____
 Special Features _____

Required Date _____

N.B.: EMPTY FIELDS TO BE CONSIDERED AS STANDARD