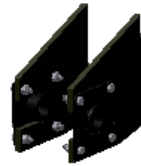


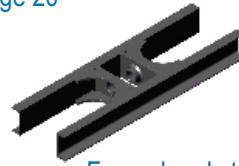
# ITC MODEL - SPECIFICATIONS



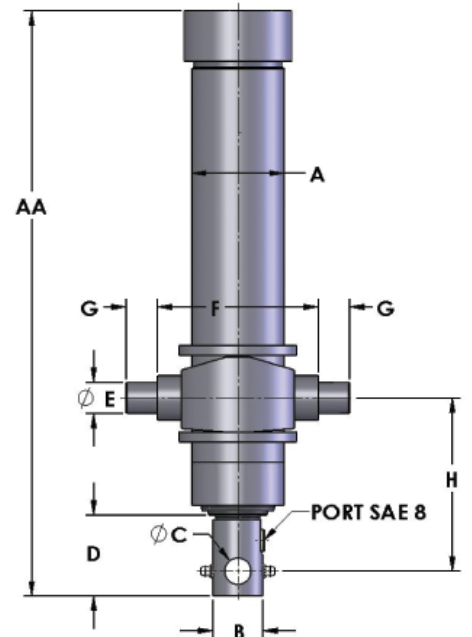
**HYCO REPLACEMENT**



Box brackets  
See page 20



Frame brackets  
See page 20



## INVERTED TELESCOPIC CYLINDERS

7 ton series - 1 3/4", 2 3/8" & 3" sections - 2000 PSI

Dimensions in inches

MODEL	CAPACITY	STROKE	AA	A	B	Ø C	D	E	F	G	H	WEIGHT (lb)	LIST PRICE
07-ITC-78-3-10	7 ton	78.00	35.50	3.74	2.00	1.00	3.19	1.25	6.50	1.25	7.00	68	\$640.58
07-ITC-90-3-10	7 ton	90.00	39.50	3.74	2.00	1.00	3.19	1.25	6.50	1.25	7.00	75	\$739.38
07-ITC-108-3-10	7 ton	108.00	45.50	3.74	2.00	1.00	3.19	1.25	6.50	1.25	7.00	101	\$888.53
ITC07-10	Seal Kit for 7 ton telescopic cylinder												\$45.74

12 ton series - 2 3/8", 3" & 3 5/8" sections - 2300 PSI

Dimensions in inches

MODEL	CAPACITY	STROKE	AA	A	B	Ø C	D	E	F	G	H	WEIGHT (lb)	LIST PRICE
12-ITC-078-3-10	12 ton	78.00	34.75	4.43	2.00	1.00 & 1.50	3.54	1.50	7.61	1.43	7.00	106.00	\$865.77
12-ITC-090-3-10	12 ton	90.00	38.75	4.43	2.00	1.00 & 1.50	3.54	1.50	7.61	1.43	7.00	107.00	\$1 002.23
12-ITC-108-3-10	12 ton	108.00	44.75	4.43	2.00	1.00 & 1.50	3.54	1.50	7.61	1.43	7.00	132.00	\$1 201.87
12-ITC-120-3-10	12 ton	120.00	48.75	4.43	2.00	1.00 & 1.50	3.54	1.50	7.61	1.43	7.00	143.00	\$1 332.00
ITC12-10	Seal Kit for 12 ton telescopic cylinder												\$54.05



Emergency manual  
Override feature

MODEL	DESCRIPTION	LIST PRICE
LSV2-08-2NCP-M-ID	Manual override valve	\$96.37

## "Selected Power Units for Trailers"

MODEL	RECOMMENDED CAPACITY	LIST PRICE
SE12H3GSMOR23-R2	7 ton	\$679.50
SE12H5GSMOR23-R2	12 ton	\$693.02

**LIMITED LIFETIME WARRANTY ON OUR CYLINDERS AGAINST ALL MANUFACTURING DEFECTS**

Product availability, specifications and prices are subject to change without notice. Taxes extra.