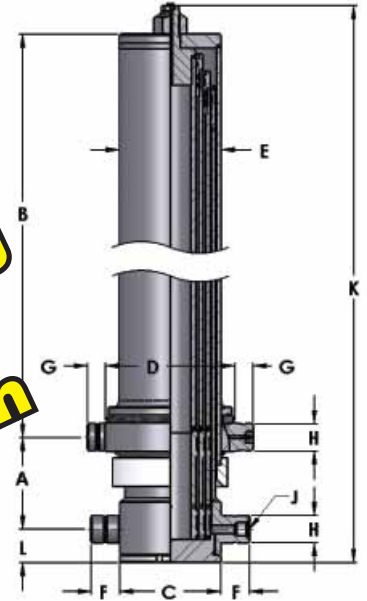


# HTC MODEL - SPECIFICATIONS



MAILHOT REPLACEMENT

**Currently being field tested  
Coming soon**



## HOIST TELESCOPIC CYLINDERS

30 ton series - 4", 4 1/2" & 5 1/2" sections

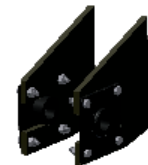
Dimensions in inches

MODEL	CAPACITY	STROKE	A	B	C	D	E	F	G	H	PORTS J	K	L	WEIGHT (lb)	LIST PRICE
30HTC-120-3-10	30 ton	120	5 1/2	49 1/16	7	9	7 5/8	2	1 1/4	1 7/8	12 SAE	60	1 3/8	453	\$ 1944.55
30HTC-130-3-10	30 ton	130	5 1/2	49 1/16	7	9	7 5/8	2	1 1/4	1 7/8	12 SAE	60	1 3/8	448	\$ 1986.36
30HTC-140-3-10	30 ton	140	5 1/2	52 3/8	7	9	7 5/8	2	1 1/4	1 7/8	12 SAE	63 1/4	1 3/8	476	\$ 2057.45
HTC30-10	Seal Kit for 30 ton telescopic cylinder														TO COME

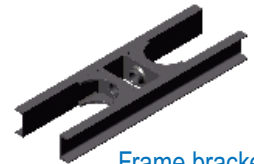
## FRAME AND BOX BRACKETS

7 ton - 12 ton - 30 ton

PART #	DESCRIPTION	LIST PRICE
712-ITS-000-10	Frame Bracket for 7 ton and 12 ton cylinder	\$144.42
007-ITS-000-10	Box Bracket for 7 ton cylinder (price each - sale by pair)	\$34.36 / each
012-ITS-000-10	Box Bracket for 12 ton cylinder (price each - sale by pair)	\$34.36 / each
030-HTS-000-10	Frame Bracket for 30 ton cylinder	TO COME
030-HTS-001-10	Box Bracket for 30 ton cylinder	TO COME



Box brackets



Frame brackets

### MODEL NUMBER FOR ITC & HTC

