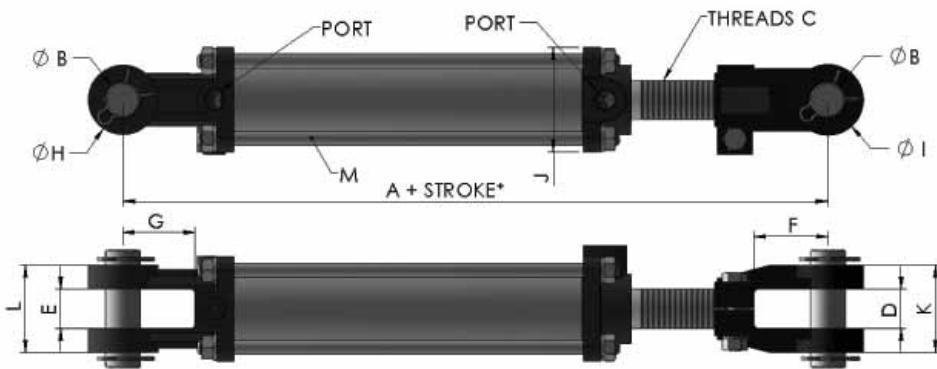


AGU MODELS

MODEL	BORE X STROKE (in.)	ROD DIA. (in.)	CENTER TO CENTER OF PIN (in.)		PORTS	WEIGHT (lb)	LIST PRICE	SEAL KIT	
			Retracted	Extended				PART #	LIST PRICE
20AGU04-10	2 X 4	1-1/8	14 1/4	18 1/4	3/8 NPT	16	\$84.30	AGU 201125-10	\$7.16
20AGU06-10	2 X 6		16 1/4	22 1/4		17	\$84.92		
20AGU08-10	2 X 8		18 1/4	26 1/4		19	\$83.05		
20AGU08-ASAE-10	2 X 8		20 1/4	28 1/4		19	\$83.05		
20AGU10-10	2 X 10		20 1/4	30 1/4		20	\$94.22		
20AGU12-10	2 X 12		22 1/4	34 1/4		22	\$98.55		
20AGU14-10	2 X 14		24 1/4	38 1/4		24	\$103.50		
20AGU16-10	2 X 16		26 1/4	42 1/4		25	\$107.23		
20AGU18-10	2 X 18		28 1/4	46 1/4		27	\$112.80		
20AGU20-10	2 X 20		30 1/4	50 1/4		28	\$117.15		
20AGU24-10	2 X 24		34 1/4	58 1/4		31	\$127.07		
20AGU30-10	2 X 30		40 1/4	70 1/4		36	\$146.28		
20AGU36-10	2 X 36		46 1/4	82 1/4		40	\$164.25		
25AGU04-10	2 1/2 X 4		1-1/8	14 1/4		18 1/4	3/8 NPT		
25AGU06-10	2 1/2 X 6	16 1/4		22 1/4	19	\$88.63			
25AGU08-10	2 1/2 X 8	18 1/4		26 1/4	21	\$87.38			
25AGU08-ASAE-10	2 1/2 X 8	20 1/4		28 1/4	21	\$87.38			
25AGU10-10	2 1/2 X 10	20 1/4		30 1/4	23	\$102.27			
25AGU12-10	2 1/2 X 12	22 1/4		34 1/4	24	\$114.03			
25AGU14-10	2 1/2 X 14	24 1/4		38 1/4	26	\$119.62			
25AGU16-10	2 1/2 X 16	26 1/4		42 1/4	28	\$124.57			
25AGU18-10	2 1/2 X 18	28 1/4		46 1/4	30	\$129.53			
25AGU20-10	2 1/2 X 20	30 1/4		50 1/4	31	\$135.12			
25AGU24-10	2 1/2 X 24	34 1/4		58 1/4	35	\$145.03			
25AGU30-10	2 1/2 X 30	40 1/4		70 1/4	40	\$176.63			
25AGU36-10	2 1/2 X 36	46 1/4		82 1/4	45	\$196.47			
30AGU04-10	3 X 4	1-1/4		14 1/4	18 1/4	1/2 NPT		22	\$102.27
30AGU06-10	3 X 6		16 1/4	22 1/4	24		\$102.88		
30AGU08-10	3 X 8		18 1/4	26 1/4	26		\$92.99		
30AGU08-ASAE-10	3 X 8		20 1/4	28 1/4	27		\$100.40		
30AGU10-10	3 X 10		20 1/4	30 1/4	29		\$117.13		
30AGU12-10	3 X 12		22 1/4	34 1/4	31		\$126.43		
30AGU14-10	3 X 14		24 1/4	38 1/4	33		\$131.40		
30AGU16-10	3 X 16		26 1/4	42 1/4	35		\$136.97		
30AGU16-ASAE-10	3 X 16		31 1/2	47 1/2	36		\$146.27		
30AGU18-10	3 X 18		28 1/4	46 1/4	37		\$142.55		
30AGU20-10	3 X 20		30 1/4	50 1/4	40		\$158.05		
30AGU24-10	3 X 24		34 1/4	58 1/4	44		\$170.43		
30AGU30-10	3 X 30		40 1/4	70 1/4	50		\$209.48		
30AGU36-10	3 X 36		46 1/4	82 1/4	57		\$229.93		

AGU MODEL - SPECIFICATIONS



Pressure (PSI)	
Operating	Testing
2500	5000

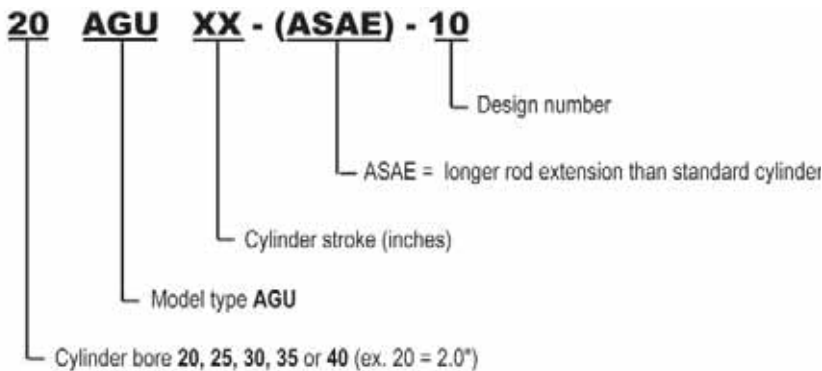
AGU CYLINDER DIMENSIONS

	TUBE DIA.	A*	Ø B PIN	C (UNF)	D	E	F	G	H	I	J	K	L	M	PORTS (NPT)
in.	2.000	10.250	1.000	1 1/8 - 12	1.125	1.125	2.125	2.062	2.000	2.000	3.000	2.500	2.500	0.393	3/8
mm	50.80	260.35	25.40		28.57	28.57	53.97	52.38	50.80	50.80	76.20	63.50	63.50	10.00	
in.	2.500	10.250	1.000	1 1/8 - 12	1.125	1.125	2.125	2.062	2.000	2.000	3.125	2.500	2.500	0.393	3/8
mm	63.50	260.35	25.40		28.57	28.57	53.97	52.38	50.80	50.80	79.38	63.50	63.50	10.00	
in.	3.000	10.250	1.000	1 1/4 - 12	1.125	1.125	2.125	2.062	2.000	2.250	3.750	2.625	2.500	0.472	1/2
mm	76.20	260.35	25.40		28.57	28.57	53.97	52.38	50.80	57.14	95.25	66.68	63.50	12.00	
in.	3.500	10.250	1.000	1 1/4 - 12	1.125	1.125	2.125	2.062	2.250	2.250	4.375	2.625	2.500	0.629	1/2
mm	88.90	260.35	25.40		28.57	28.57	53.97	52.38	57.15	57.15	111.13	66.68	63.50	16.00	
in.	4.000	10.250	1.000	1 1/4 - 12	1.125	1.125	2.125	2.062	2.250	2.250	4.625	2.625	2.625	0.629	1/2
mm	101.60	260.35	25.40		28.57	28.57	53.97	52.38	57.15	57.15	117.48	66.68	66.68	16.00	

A* - STANDARD ASAE CYLINDERS

	20AGU08-ASAE	25AGU08-ASAE	30AGU08-ASAE	30AGU16-ASAE	35AGU08-ASAE	35AGU16-ASAE	40AGU08-ASAE	40AGU16-ASAE
in.	12.250	12.250	12.250	15.500	12.250	15.500	12.250	15.500
mm	311.15	311.15	311.15	393.70	311.15	393.70	311.15	393.70

MODEL NUMBER FOR AGU



WARNING / ATTENTION

PLEASE NOTE THAT THE MAXIMUM CAPACITY OF CLEVIS PINS ARE:

VEUILLEZ NOTER QUE LA CAPACITÉ MAXIMUM DES GOUPILLES D'ATTACHEMENT EST DE :

1" Ø = 26 000 Lbs	1-1/2" Ø = 56 000 Lbs
1-1/4" Ø = 39 000 Lbs	2" Ø = 96 000 Lbs

LIMITED LIFETIME WARRANTY ON OUR CYLINDERS AGAINST ALL MANUFACTURING DEFECTS

Product availability, specifications and prices are subject to change without notice. Taxes extra.